

Manual of Victory PB1200



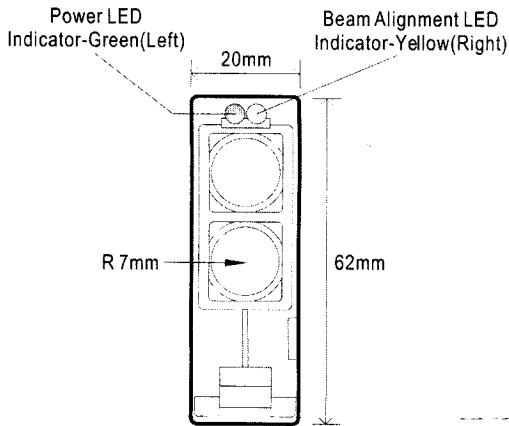
Retro Reflective Photo Beam Switch

Input voltage: AC/DC 12~250V

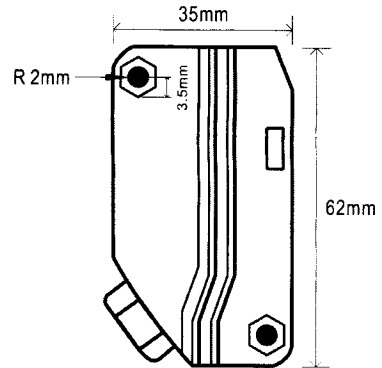
Front View

When powered — **Green** led indicator on;
when power off — **Green** led indicator off.

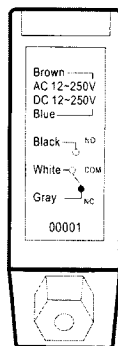
Beam Alignment LED Indicator-Yellow (Right)
When beam aligned properly: **Yellow** led indicator off
When beam broken: **Yellow** led indicator on



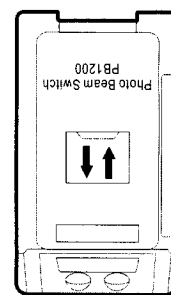
Side View



Back View

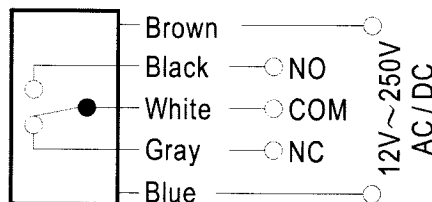


Top View

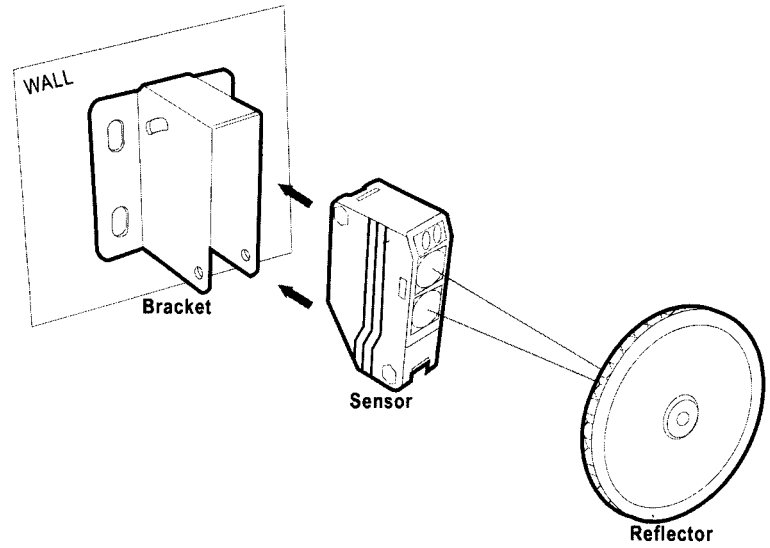


Wiring connection diagram

- Brown:** input power-non polarity
- Black:** Normally open
- White:** Common
- Gray:** Normally close
- Blue:** input power-non polarity



Installation



Specifications

Model No	PB-1200
Output Method	Normally Open relay output; Dark on
Detection Method	Retro-Reflective Detection
Sensing Range	1.5 ft- 36 ft (0.5 - 12 m)
Input Voltage	AC/DC 12-250V
Response Time	15 ms
Emitting Element	IR LED
Power LED Indicator (Green)	Green (Left Side); when powered: LED indicator turn on when power off: LED indicator turn off
Beam Alignment LED Indicator (Yellow)	Yellow LED Indicator (Right Side) When beam aligned properly: Yellow led indicator turn off When beam broken: Yellow led indicator turn on
Dimensions	W 3/4"(20mm) H 2 1/2" (62mm) D 1 3/8" (35mm)
Current Consumption	Beam aligned: 32 mA; broken: 52 mA (+/-10%)
Contact Current	1A / 250VAC
Illumination	Lamplight < 10,000 Lux ; Sunlight < 30,000 Lux
Connection Method	6 ft (2 m) 5 conductor Wire
Noise Resistance	1500 Vp-P / 1uS
Surge Resistance	2KV / 1uS
Vibration Resistance	10~55 Hz / 1.5 mm, 2 Hour In X.Y.Z. Phase
Housing Material	Case: Intensive ABS; Lens: PC
Operating Temp	-4 °F ~ 131 °F (-20°C ~ 55°C)
Water Proof	IP-66
Safety Standard	CE